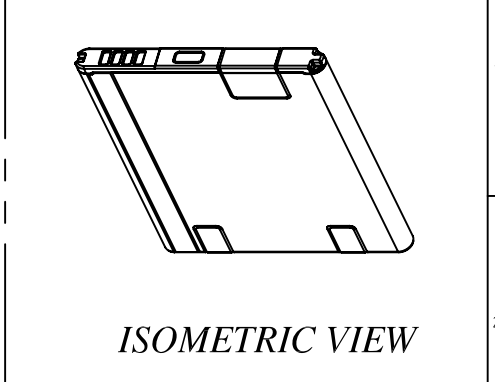


VERSION	A	DESCRIPTION	B	REMARKS	C		D	ZONE	E	SEQ. NO.	REVISION	F	ECO NO.	G	DESCRIPTION	H	DATE	APPL
										△	A				INITIAL RELEASE			



- NOTE-
- CELL : LGC 495255 (1780mAh)
SANYO 495255 (1800mAh)
 - STD - ID : 4.70kΩ±3%
 - mark part : Control the dimension
 - Terminal sinking quantity : 0.40 ^{+0.15}/_{-0.10}
 - Case : Top Case / Middle Case / Bottom Case

DRAWN BY	CHECKED BY	APPROVED BY	UNLESS OTHERWISE SPECIFIED DIMENSIONS ARE IN mm (Inch)	ANGLE 3rd	TITLE PACK ASS'Y
			TOLERANCE ARE: LINER ±0.1	SCALE 1/1	
			ANGLE ±0.5		
			RADII UNLESS NOTED : ±		
1780mAh	MODEL	LGC 495255 SANYO 495255	SIZE	DWG NO.	SHEET 1/1